

PVC Flange



PVC flange

with optimum bending resistance moment for all thermoplastic pipe connections.

Material

PVC-U with

- increased impact strength
- extended creep strength
- resistance to atmospheric corrosion, UV stabilised
- excellent chemical resistance
- low weight

Technical data

Pressure range

- PN 10 at 20°C

Dimensions

- according to DIN 2501 PN 10

Operating temperature

- up to 30 °C

Design A

- to fit flange adaptors according to DIN 16962/3 (PP, PE, PVDF or ABS) with internal diameter ID = d1

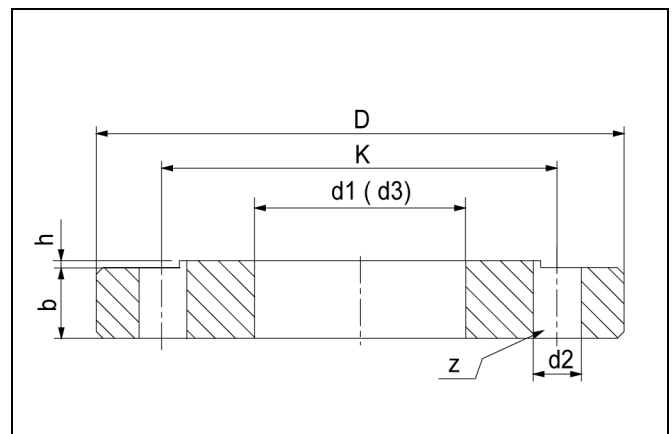
Design B

- to fit welding necks analogous to DIN 16962/3 (PP, PE, PVDF) with internal diameter ID = d3

Colour

- grey RAL 7011

Dimensions



size										design A			design B			torque Nm
d	DN	D	b	R	K	d2	h	l	z	d1	ID No.	weight	d3	ID No.	weight	
mm	mm	mm	mm	mm	mm	mm	mm	mm	mm	mm		g	mm		g	
16	10	90	12	1,0	60	14	1,5	37,5	4	23	52179	80	-	-	-	5
20	15	95	12	1,0	65	14	1,5	42,0	4	28	52180	92	28	52180	92	5
25	20	105	14	1,5	75	14	1,5	48,0	4	34	52181	134	34	52181	134	7
32	25	115	15	1,5	85	14	2,0	58,0	4	42	52182	165	42	52182	165	10
40	32	140	17	2,0	100	18	2,0	72,0	4	51	52183	250	51	52183	250	15
50	40	150	17	2,0	110	18	2,0	82,0	4	62	52184	292	62	52184	292	25
63	50	165	18.5	2.5	125	18	2,0	98,0	4	78	52185	362	78	52185	362	30
75	65	185	18.5	2.5	145	18	2,0	130,0	4	92	52186	452	92	52186	452	35
90	80	200	20.0	3.0	160	18	2,0	146,0	8	110	52187	514	108	52251	517	40
110	100	220	20.0	3.0	180	18	2,0	166,0	8	133	52188	575	128	52252	590	50
125	100	220	20.0	3.0	180	18	2,0	166,0	8	-	-	-	135	52253	570	50
140	125	250	26.0	4.0	210	18	-	-	8	167	52189	880	158	52254	900	55
160	150	285	28.0	4.0	240	23	-	-	8	190	52190	1100	178	52256	1210	60
180	150	285	28.0	4.0	240	23	-	-	8	-	-	-	188	52255	1100	60
200	200	340	30.0	4.0	295	23	-	-	8	-	-	-	235	52258	1440	65
225	200	340	30.0	4.0	295	23	-	-	8	250	52191	1230	238	52257	1400	65

