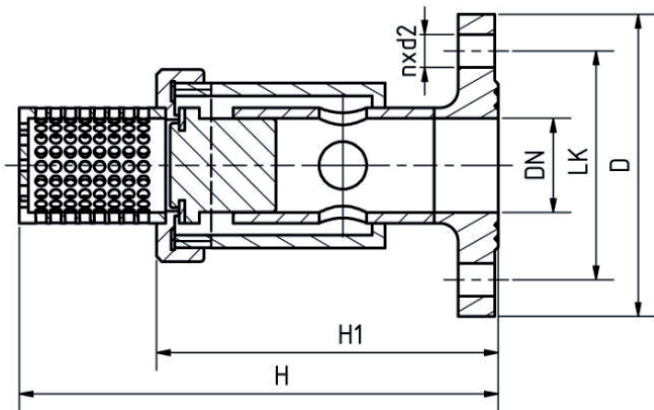


Suction filters DN 15-400

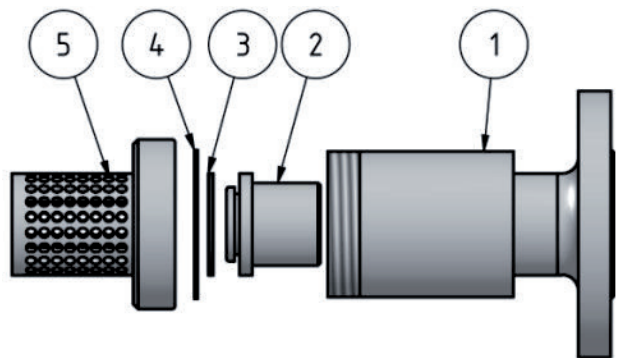


Nominal diameter			Dimensions				
d mm	DN mm	Zoll mm	H mm	H1 mm	LK mm	D m	n x d2 mm
20	15	½"	190	140	65	95	4 x ø14
25	20	¾"	195	145	75	105	4 x ø14
32	25	1"	195	145	85	115	4 x ø14
40	32	1¼"	232	170	100	140	4 x ø18
50	40	1½"	300	205	110	150	4 x ø18
63	50	2"	315	220	125	165	4 x ø18
75	65	2½"	395	250	145	185	4 x ø18
90	80	3"	395	250	160	200	4 x ø18
110	100	4"	445	310	180	220	4 x ø18
140	125	5"	485	340	210	250	4 x ø18
160	150	6"	545	415	240	285	8 x ø22
225	200	8"	690	545	295	340	8 x ø22
280	250	10"	760	570	350	395	12 x ø22
315	300	12"	870	610	400	445	12 x ø22
355	350	14"	870	610	460	505	16 x ø22
400	400	16"	870	610	515	565	16 x ø22

Suction filters

Suction filters or foot valves made of PVC, PP and PVDF serve supports of pollutions at the withdrawal (pump out) of liquids. A special version with an integrated setback piston protects the pressure pipe additionally, against idling, whereby damage by equipment components (WWWrunning dry of the pump) are prevented.

Spare parts



You can order many of wearing parts directly by us.

Nr	Description	Material
1.	Body	PVC, PP, PVDF
2.	Piston	PVC, PP, PVDF
3.	Flat seal	EPDM, FPM
4.	Seal	EPDM, FPM
5.	Cage	PVC, PP, PVDF