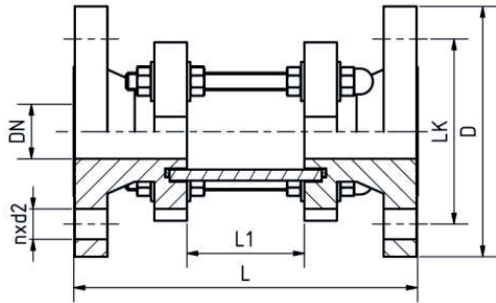


## Inspection glass



### Inspection glass

Inspection glasses made of PVC, PP and PVDF are put into pipes to the visual check of fillings and flows. The Inspection glasses make a reliable supervision of the function and performance possible of single apparatus as well as of whole plants.

- Flange acc.

| Nominal diameter |          |            | Dimensions |          |          |         |              |
|------------------|----------|------------|------------|----------|----------|---------|--------------|
| d<br>mm          | DN<br>mm | Zoll<br>mm | L<br>mm    | L1<br>mm | LK<br>mm | D<br>mm | n x d2<br>mm |
| 32               | 25       | 1"         | 160        | 56       | 85       | 115     | 4 x ø14      |
| 40               | 32       | 1 ¼"       | 180        | 68       | 100      | 140     | 4 x ø18      |
| 50               | 40       | 1 ½"       | 200        | 80       | 110      | 150     | 4 x ø18      |
| 63               | 50       | 2"         | 230        | 102      | 125      | 165     | 4 x ø18      |
| 75               | 65       | 2 ½"       | 290        | 126      | 145      | 185     | 4 x ø18      |
| 90               | 80       | 3"         | 310        | 136      | 160      | 200     | 8 x ø18      |
| 110              | 100      | 4"         | 350        | 170      | 180      | 220     | 8 x ø18      |
| 160              | 150      | 6"         | 480        | 108      | 240      | 285     | 8 x ø22      |

## Inspection glass

| Nr | Description | Material    |
|----|-------------|-------------|
| 1. | Flange      | PVC, PP,    |
| 2  | Nut         | PVDF        |
| 3  | Washer      | A4          |
| 4  | Nut         | A4          |
| 5  | Screw       | A2          |
| 6  | Pipe        | Borosilikat |
| 7  | Seal        | EPDM, FPM   |

### Spare parts

You can order many of wearing parts directly by us.

