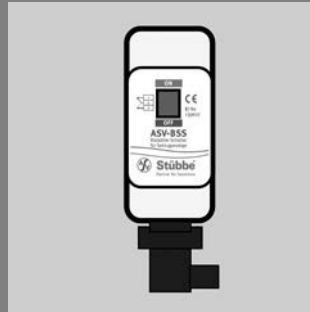


Bistable Switch BSS

for mounting to cable pull or float filling level indicators



Advantage

- as standard with visual position indicator
- low investment costs
- quick and easy installation

Intended Use

- The bistable switch is suitable for cable pull level indication or for float level indication for mounting onto the indicator tube. The ASV BSS changeover contact switches depending on the position of the counterweight.

Typical applications include limit value recording or 2-point control (min./max. control) on containers and tanks.

This product may be exposed to the limit values specified in the "Technical data".

Function

- The BSS changes over and makes contact for as long as the switching condition is fulfilled.

Approval

- CE sign in accordance with the Low Voltage Directive 2006/95/EC and EMC Directive 89/336/EC.

Potentially Explosive Atmospheres

- The limit value signal transmitter according to EN 600079-11 is classified as a simple electrical device without its own ignition source. Therefore it does not fall under the scope of the Directive 94/9/EC (ATEX95).
The use of a buffer amplifier is recommended.

Switching Function

- Micro switch, magnetically actuated

Body

- ABS

Bonnet

- PC

Connector Plug

- according to DIN EN 175301,
can be rotated in increments of 30°

Ambient Temperature

- -20°C ... +80°C

Type Of Protection

- IP 65 with mounted connector plug

Mounting Position

- vertical

Assembly

- The BSS is fastened to the tube of the cable pull filling level indicator at the respective height of the desired switching point using cable ties.

NOTE

When mounting the bi-stable switch please note that the position of the optical display matches with the positioning of the float/counter weight. Otherwise the switch would give a wrong output signal until the first up or down passage of the actuator.

Operating Voltage

- 4 ... 250 V AC
- 30 V DC

Electric Switching Capacity

- 3 A

Connection Cable

- nominal cross-section 1.5 mm²

Maintenance Note

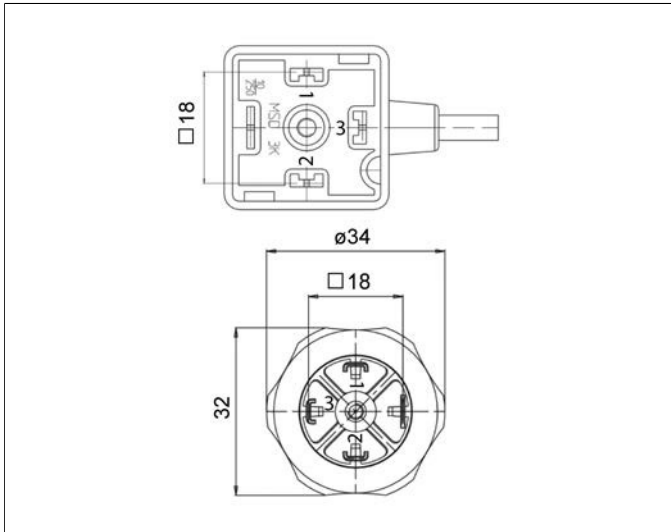
- when used in accordance with its intended use: none

Accessories

- Cable pull level indication
- Float level indication

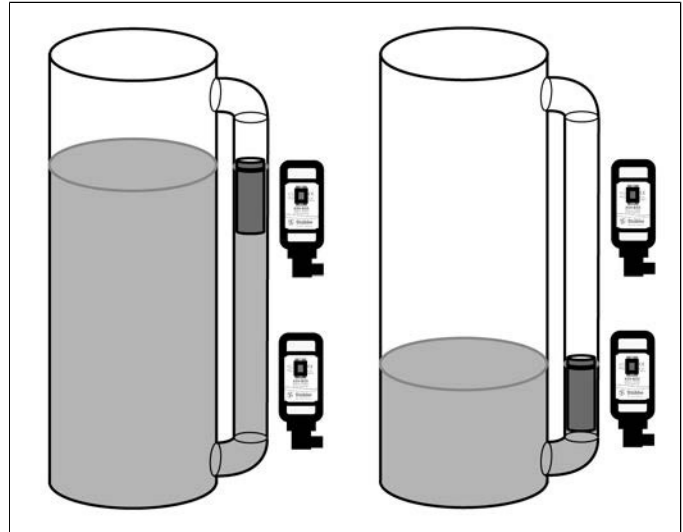
Level measurement, Bistable Switch BSS

Electrical connection

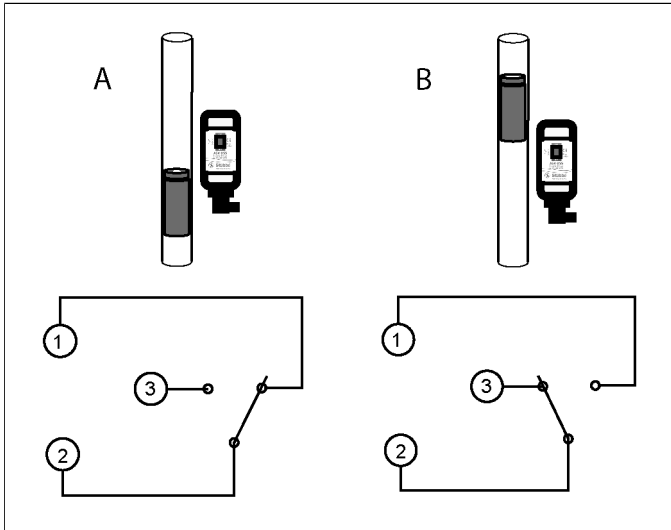


Example for

Float level indication



Wiring diagram

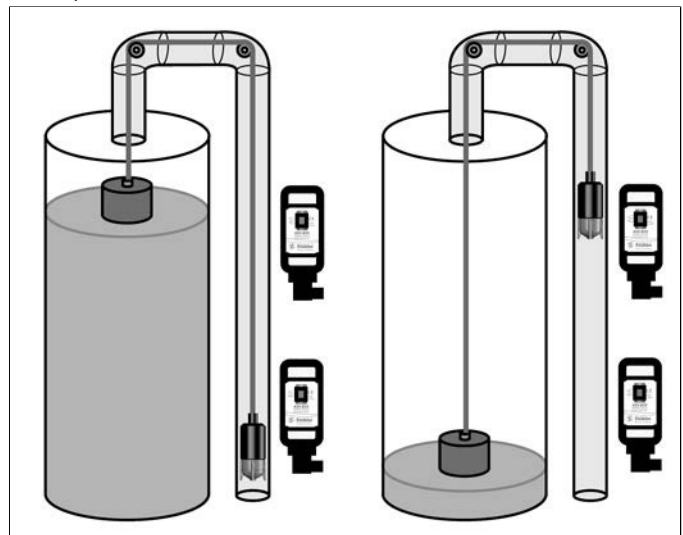


A = indicator orange

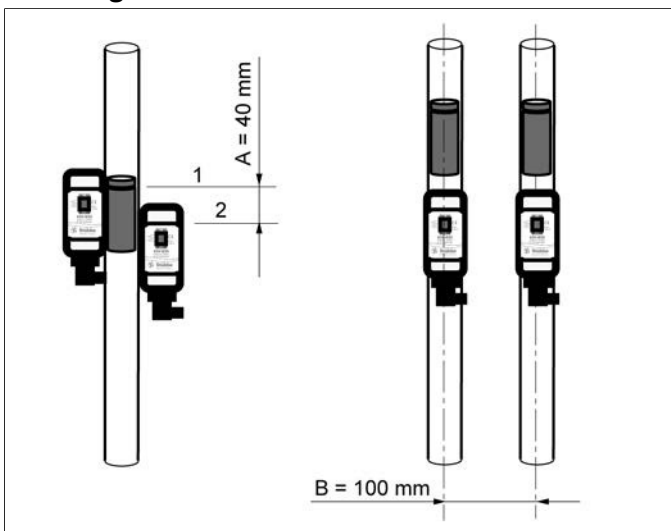
B = indicator black

Example for

Cable pull level indication



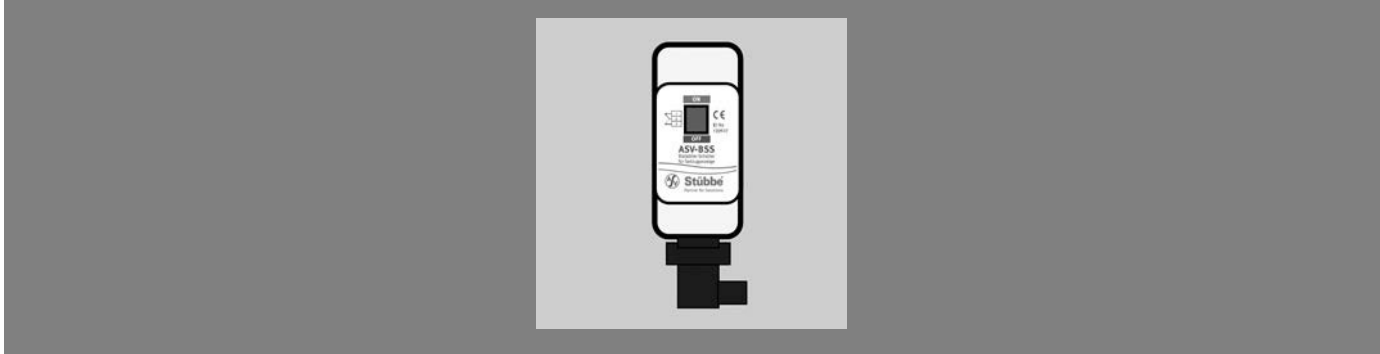
Switching and installation distances



A = Smallest switching interval between two to 120 ° mounted switches

B = Smallest Mounting distance between two parallel mounted switch

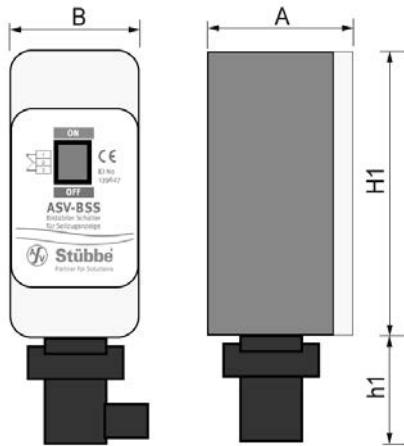
Level measurement, Bistable Switch BSS



body ABS

<i>size</i> <i>pressure range</i>	version		
<i>Connection</i>	<i>sealing</i>	<i>ident No.</i>	
PP cable ties	- <i>weight</i>		139627 0.20 kg

Level measurement, Bistable Switch BSS

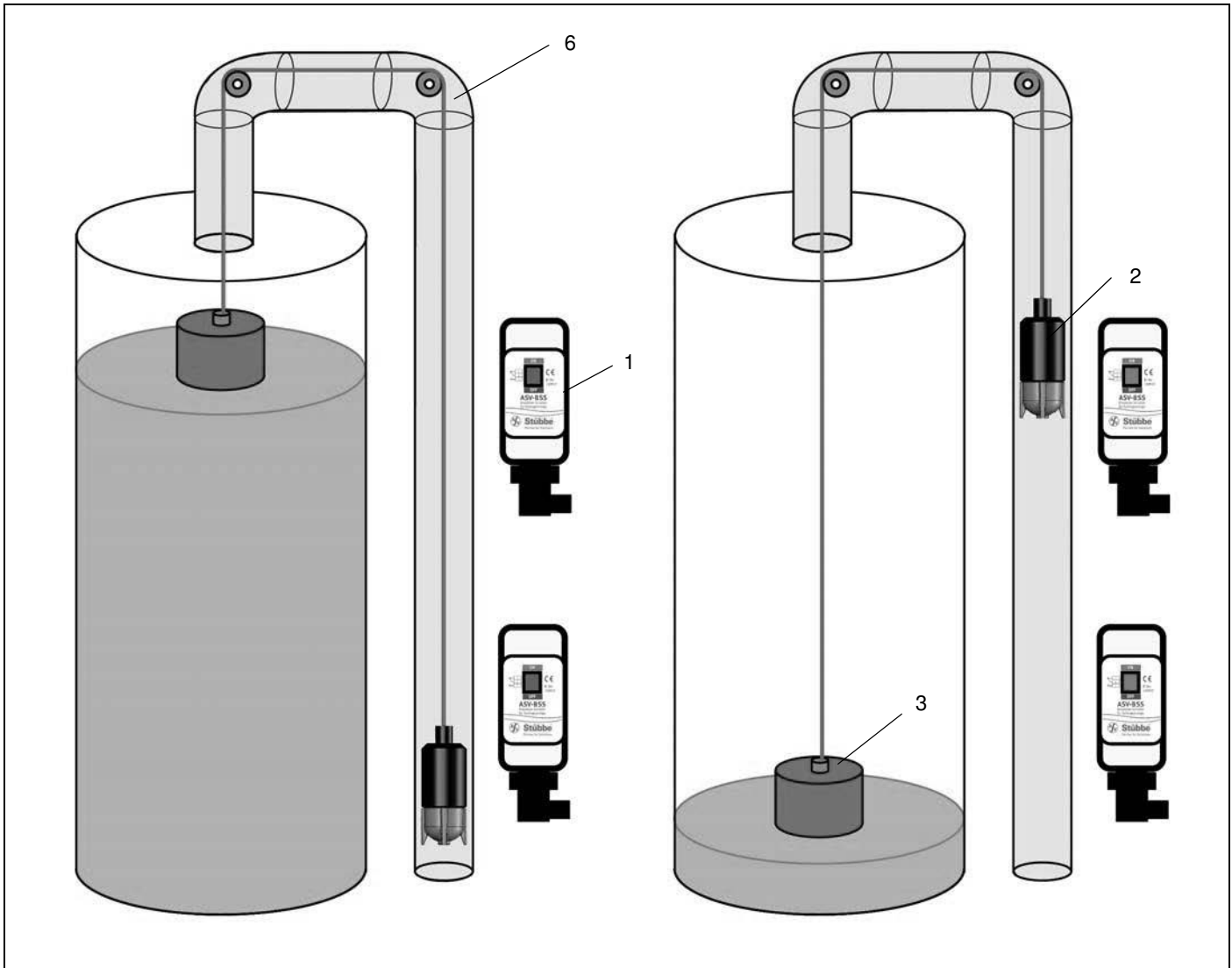


dimensions

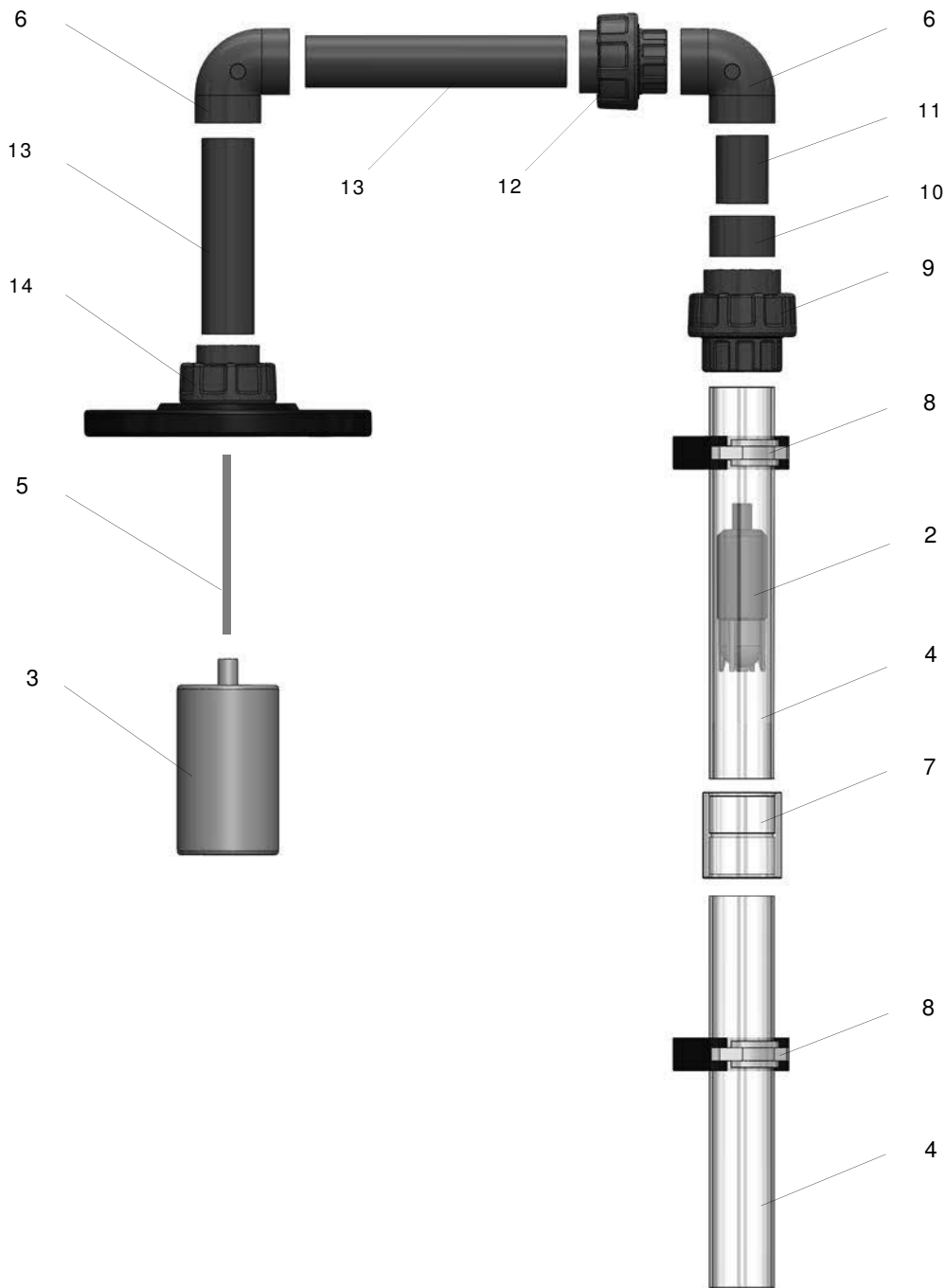
version		
dimensions(mm)		
	A	50
	B	40
	H1	95
	h1	55

Accessories

Cable pull level indication



Item	Ident-No.	Description
1	139627	bistable switch
2	139512	counterweight
3	140822	float PP; d78x130
6	140637	elbow ø40 with deflector roller, PVC-U, gray



Components

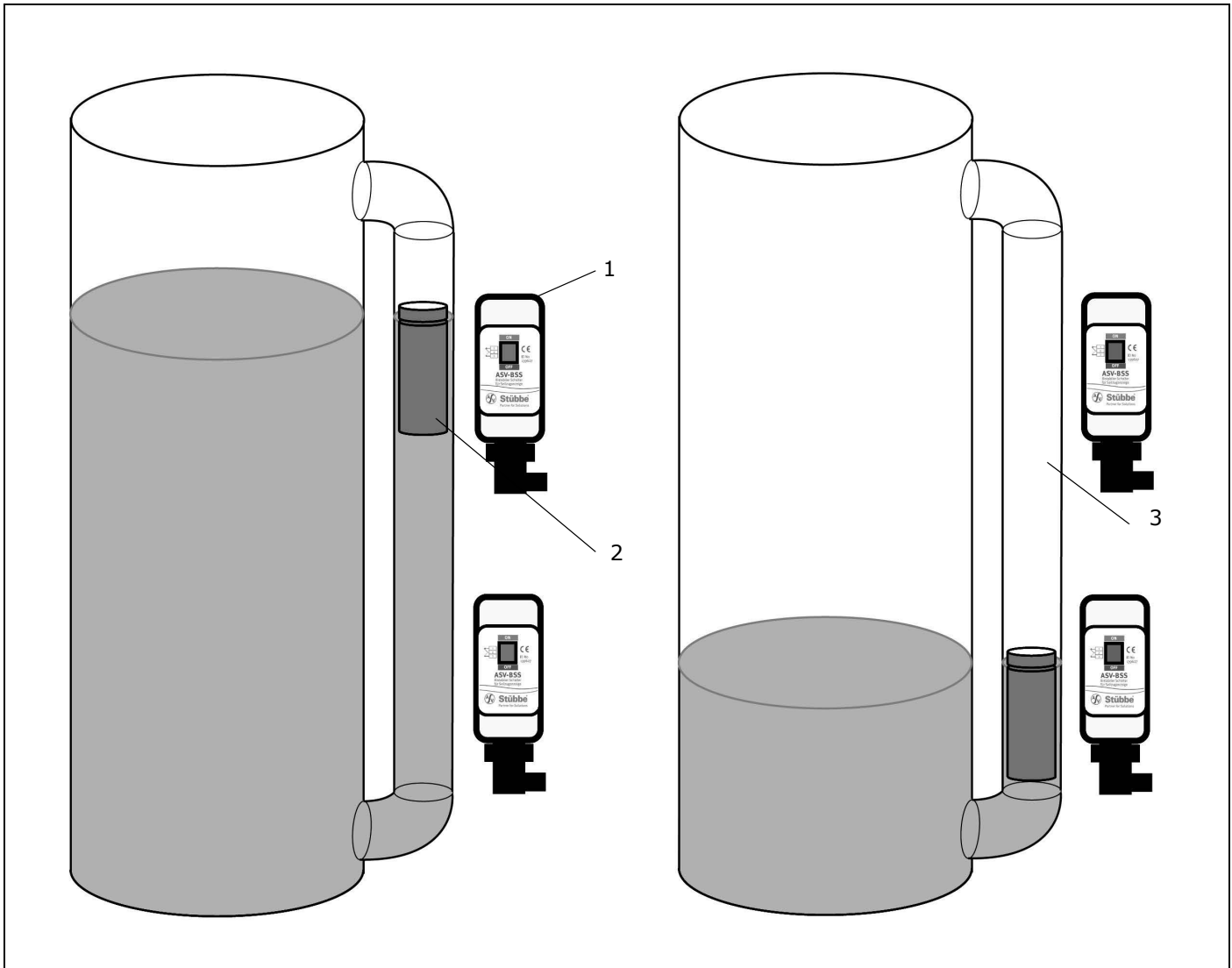
Item	Ident-No.	Description
1	139627	bistable switch
2	139512	counterweight
3	140822	float PP; d78x130
4	52837	pipe ø50, transparent
5	140200	cable, PP, red
5	140201	cable, PTFE, white
6	140637	elbow ø40, PVC-U with deflector roller
7	59685	adaptor ø50, PVC-transparent
8	41574	pipe clamps ø50, PE

Item	Ident-No.	Description
9	532281112	union socket end ø50, PVC-U
10	535181112	reducing ø50/ø40, PVC-U
11	43100	double nipple ø40, PVC-U
12	532271112	union socket end ø40, PVC-U
13	136778	pipe ø40, PVC-U
14		flange connection to be assemble by the customer

Subject to technical modifications

Accessories

Float level indication



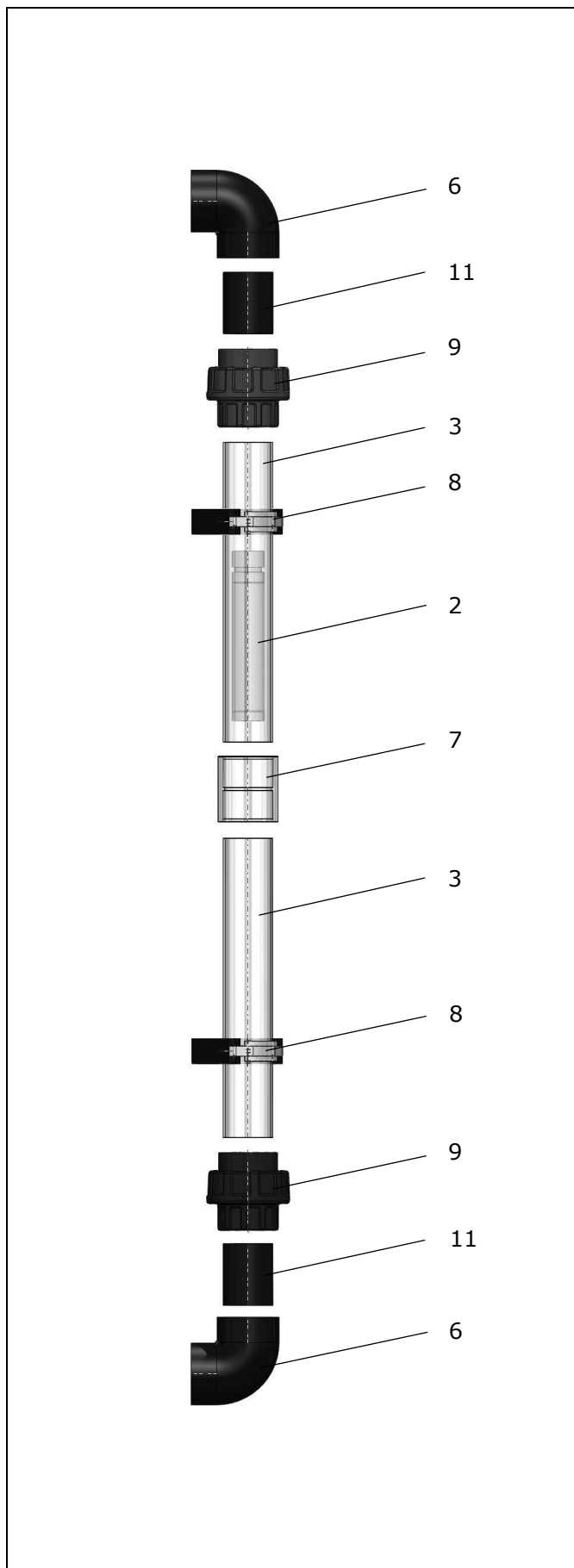
Components

Item	Ident-No.	Description
1	139627	bistable switch
2	140711	PP-float $\varnothing 28$ for pipe $\varnothing 32$
2	140712	PP-float $\varnothing 35$ for pipe $\varnothing 40$
3	52835	pipe $\varnothing 32$, transparent
3	43163	pipe $\varnothing 40$, transparent

NOTE

It's necessary to assembly the indication pipe (item 3) with union socket ends!

Example for assembling



Components for pipe ø32

Item	Description
2	PP-float ø28 mm for pipe ø32 mm
3	pipe ø32, transparent
6	elbow ø32
7	adaptor ø32, transparent
8	pipe clip ø32
9	union socket ends ø32
11	double nipple ø32

Components for pipe ø40

Item	Description
2	PP-float ø35 mm for pipe ø40 mm
3	pipe ø40, transparent
6	elbow ø40
7	adaptor ø40, transparent
8	pipe clip ø40
9	union socket ends ø40
11	double nipple ø40

Subject to technical modifications